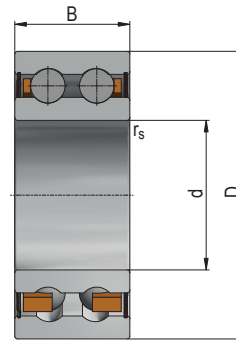
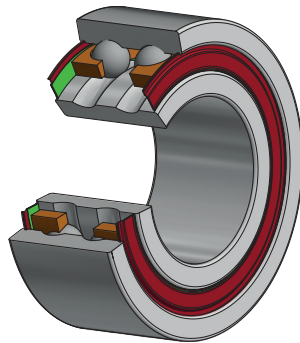




DOUBLE ROW ANGULAR CONTACT BALL BEARINGS



3303-2STNGH

Double row angular contact ball bearings										
Dimensions mm					Limiting Speed for Lubrication min ⁻¹		Basic Load Rating kN		Bearing Designation	Weight kg
d	D	B	r _s min	a			C	Co		
17	47	22,2	1	27,5	9400	11000	9,57	4,79	3303-2STNGH	0,19